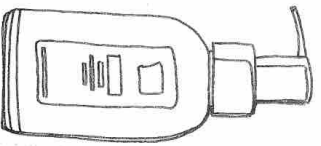
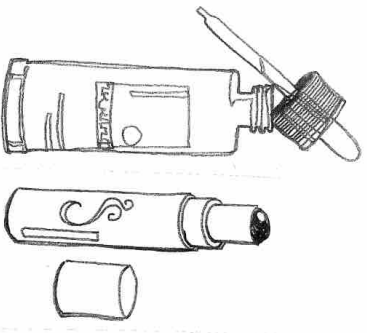


ART + WRITING
BY
KNOWYOUR
2025/02

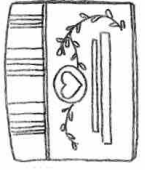


Vision
This gentle cleanser is formulated especially for the delicate skin around your eyes. It will clarify your mission and bring you out of the defensive stance the opposition has pushed you into. You have a vision for the future, the community, the country. Clarify and cleanse with our gentle, hypo-allergenic skin cleanser.



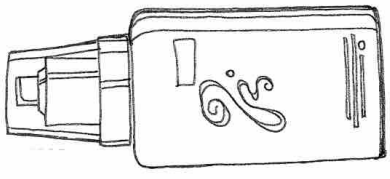
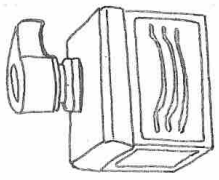
Resistance

Inner Beauty Products
Catalogue 2026



Direct action
Tired of languishing on the side lines? Are you ready to be bold, courageous? Are you willing to shoulder some risk? Reach for real change when you reach for our ready-for-duty body lotion. Especially formulated to keep your skin soft through tedious stand-offs with the police, long weeks of detention and publicly ignored judicial procedures. Rely on our quality skincare and the power of Direct Action.

Stoic Endurance
The deeply restorative body butter for when life just keeps piling on outrage after outrage. Unclogs pores, relaxes wrinkles and helps you realise that despite the futility of all human endeavor, you could at least do the least that you could do. Recommended for mature and damaged skin.



Hello, gorgeous!
Has the state of the world put a crimp in your style? We have just what you need. Buy Resistance cosmetics to look your best as you watch the world burn and our democratic values collapse like the house of cards they probably always were. Don't show up to your protests and community meetings looking like you pulled an all-nighter scrolling the doom!

Yes, the horrors persist, but so do you, and you still need to look your best. It's 2026, do you still think the revolution will not be televised? Girl, you need to be close-up ready!

This catalogue lists all our best sellers, and some new goodies to keep you looking and feeling good. Remember, the best way to solve today's issues is by buying more stuff.

Fortitude
Stand up for what you believe in with our fortifying hand moisturiser. Have the endless political failures left you with dry, fragile skin? Fortitude has you covered. Stay true to your values and protect your hands from the cuts and scrapes that come with living through these trying times.

Righteous Rage
A face primer you can rely on. Trust Righteous Rage to smooth out all your own imperfections and give you a long lasting grip on what's wrong with others. You won't need any filters with this primer on your side. Not recommended for everyday wear.

Protest
This fine-tipped liquid liner will help you draw the line on what you're willing to accept, and stand up for human rights, democracy, justice, the future and whatever you need to be heard on. Designed for maximum impact and lasting headlines.



Ally
Your glitter primer Ally will help you shine your brightest as you uplift suppressed voices and shine the spotlight on the marginalised and maligned. Use your star privilege for good with Ally.

